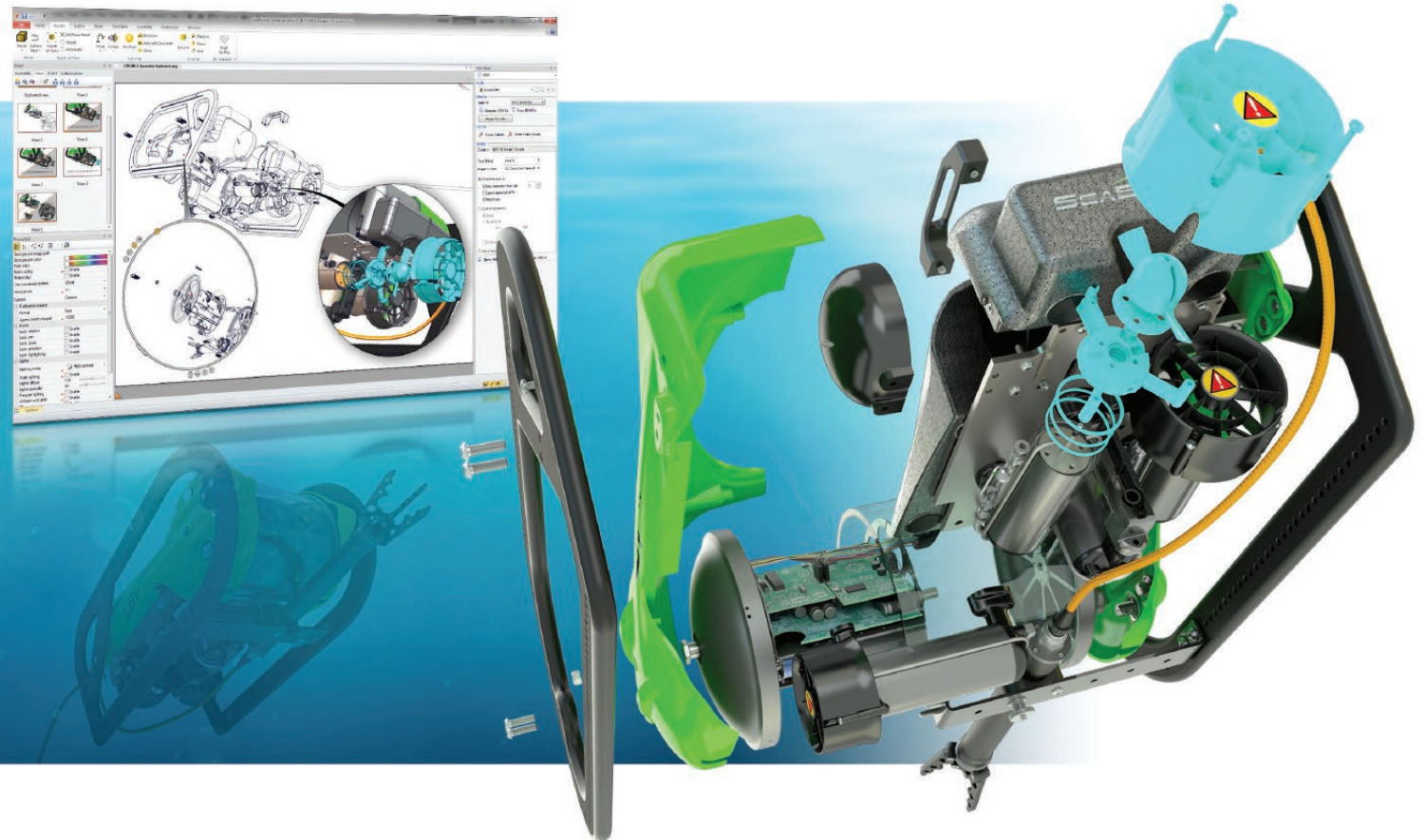


SOLIDWORKS COMPOSER

ADD INNOVATION TO YOUR TECHNICAL COMMUNICATIONS



TECHNICAL COMMUNICATIONS

SOLIDWORKS® Composer™ helps your organization, including nontechnical users, leverage 3D CAD data to create dynamic graphical content that clearly and effectively depicts even your most complex products. The simple, intuitive interface gives you tools to help you easily develop informative graphics for a broad range of technical communications, including assembly instructions, product manuals, training materials, and marketing collateral, with content that can be updated automatically.

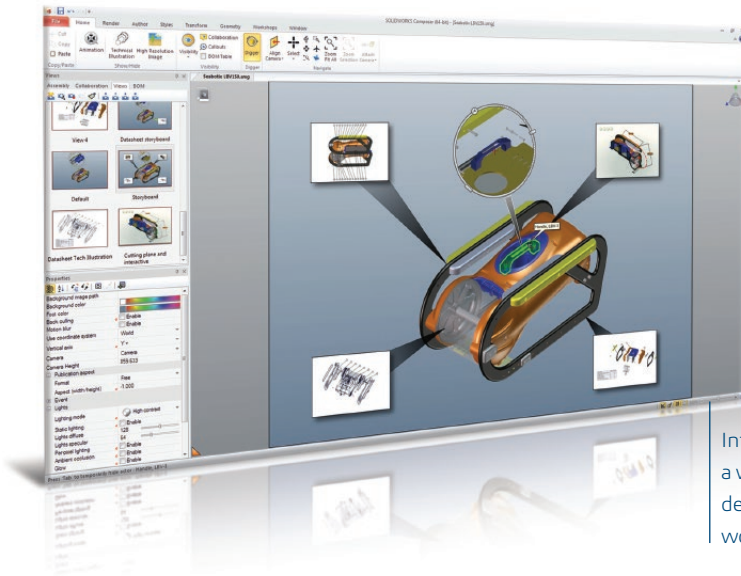
The importance of your technical communications

You put significant time and money into developing your products, and want to be sure that they are assembled correctly and quickly on the shop floor, and that the first experience for your customers is a good one. SOLIDWORKS Composer gives you the tools to start creating product communication early in the design process, keep it updated, and deliver it on time. The easy-to-use software lets you leverage your existing 3D CAD data to create dynamic product images and animations that help clearly present even the most complex data.

SOLIDWORKS Composer helps streamline how you create your product communications. Part of the SOLIDWORKS product development solution—covering design, simulation, technical communication, and data management—SOLIDWORKS Composer enables your entire staff, even those without engineering or CAD experience, to create illustrations, finished images, and interactive animations for use in a broad range of communication deliverables from shop floor work instructions to customer and supplier review presentations, product manuals, and installation guides. It works seamlessly with Microsoft®, Adobe®, and other popular publishing software, so you can easily include SOLIDWORKS Composer output.

“Not only was I freed from having to wait for parts or assemblies, I was able to put together better content in a fraction of the usual time.”

— Rob Schwartz, Manufacturing Engineer, Arens Controls Company, LLC



Interactive storyboards can be used across a wide range of product communication deliverables, including manufacturing work instructions and product manuals.

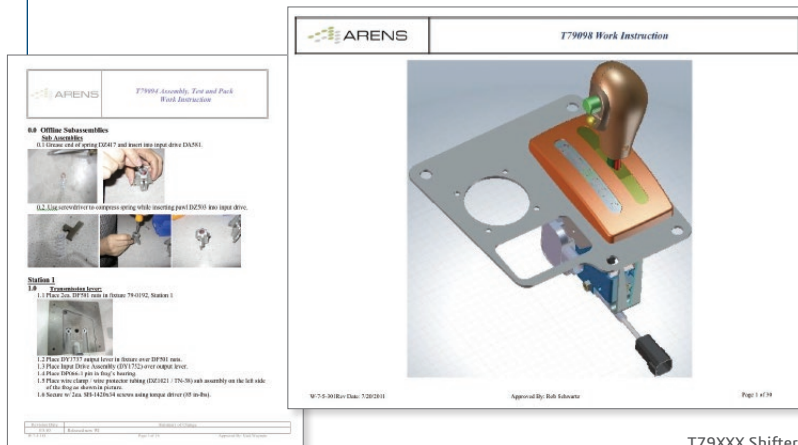
SOLIDWORKS COMPOSER HELPS BRING IT ALL TOGETHER

Now you can design and produce technical communication deliverables in parallel with product development—so your documentation keeps up with your design changes and is ready at the same time as your product.

With the intuitive SOLIDWORKS Composer interface, you can create highly detailed 2D and 3D graphics with precise control to highlight areas of interest and focus on specific components. You can just as easily output 3D interactive animations to create a realistic 3D environment for interactive training or compelling marketing presentations.

Because SOLIDWORKS Composer is associative, you can automatically update any changes you make to the CAD models in your technical communication deliverables. For the first time, you can get products to market faster with the assurance that your documentation is both high-quality and accurate. SOLIDWORKS Composer pictures and animations are particularly valuable in simplifying assembly instructions and work orders. You can directly show 3D views of how your product is assembled or repaired, reducing errors on the shop floor, eliminating language barriers, and significantly minimizing localization costs.

Make all of your product-related communications more powerful and effective by adding detailed visuals, which you can easily create and render directly from the latest 3D CAD data.



“Without SOLIDWORKS Composer animations, it would have been very hard for us to win the €700,000 contract...we reduced time-to-market by 66%, cut design time by 70%, and decreased development costs by 60%.”

– Zeki Sariçam, General Manager, Zesar Technology

Enhance product communication and marketing collateral

You no longer need to compromise your communications by relying on rough drawings to show your concepts or waiting until your design is finished to start creating product communication deliverables. With SOLIDWORKS Composer, you can quickly and easily create:

- Detailed views
- Exploded views
- High-resolution images
- Technical illustrations
- Interactive animations
- Interactive bills of materials and parts lists

Compete for more business

Today, visuals are more important than ever.

The right product graphics can mean the difference between making or missing the mark in key sales situations.

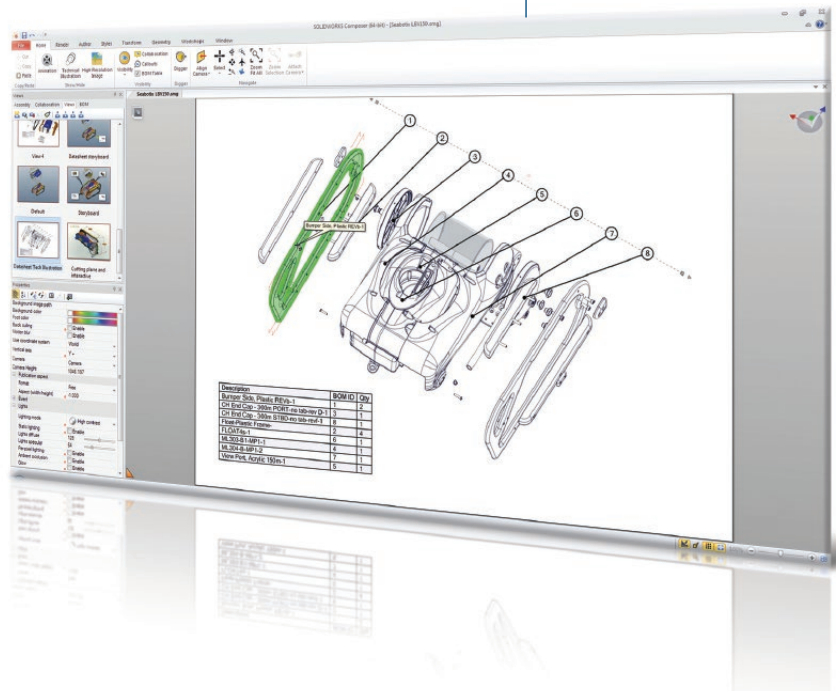
- Create more lifelike visuals and eliminate the need for physical prototypes in creating product marketing materials
- Demonstrate products more effectively with interactive storyboards
- Highlight key differentiators with detailed views, glow effects, and transparent components
- Impress prospects with a quick turnaround of updated designs and create interactive animations to effectively communicate the most complex product details

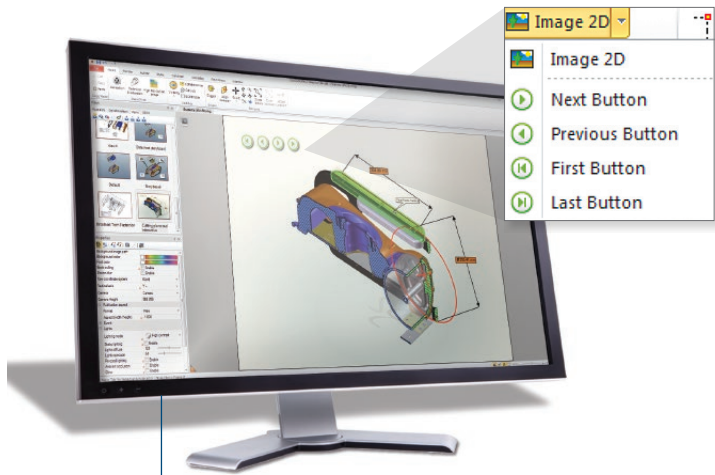
Get products to market faster

Help reduce errors and ensure that deliverables get to market faster.

- Start documentation earlier in the design process, and update it faster when design changes occur
- Create interactive 3D content that can be viewed by anyone with the free SOLIDWORKS Composer Player
- Add interactive graphics to training materials
- Create high-resolution, shaded renderings with a three-dimensional appearance for presentations and brochures
- Use web templates to quickly publish complex product details online

Create technical illustrations that add another dimension of clarity and information to your product documentation.





SOLIDWORKS Composer makes it easy to add navigation controls to create interactive animations that are simple to use.

No CAD knowledge required

With its simple, intuitive user interface, SOLIDWORKS Composer requires virtually no learning curve. Detailed training materials, in-depth help files, online tutorials, and user forums ensure that even nontechnical staff can start publishing professional 3D visuals almost instantly.

SOLIDWORKS PRODUCT DEVELOPMENT SOLUTION

SOLIDWORKS software creates an intuitive 3D development environment that helps maximize the productivity of your design and engineering resources to create products better, faster, and more cost-effectively. See the full range of SOLIDWORKS software for design, simulation, technical communication, and data management at www.solidworks.com/products2015.

SYSTEM REQUIREMENTS

- Windows® 7 (64-bit) or Windows 8 (64-bit)
- 2 GB RAM (minimum)
- 5 GB disk space free (minimum)
- Video board (certified recommended)
- Intel® or AMD® processor
- DVD or broadband Internet connection
- Internet Explorer 7 or later

For additional details, visit www.solidworks.com/solidworks-composer-requirements.

SUPPORTED FILE FORMATS

- SOLIDWORKS
- Creo®
- STEP
- IGES
- Autodesk® Inventor®
- 3D XML

QUICKLY PUBLISH

- HTML pages (templates provided)
- PDF
- Raster graphics (BMP, JPEG, TIFF, or PNG)
- Vector line art (CGM, SVG, or EPS)
- Videos, including fly-throughs and walk-throughs (AVI with multiple codecs)
- Interactive storyboards
- Interactive web pages (HTML)

LEARN MORE

To learn more about SOLIDWORKS Composer, visit www.solidworks.com/solidworksccomposer or contact your local authorized SOLIDWORKS reseller.

Our 3DEXPERIENCE platform powers our brand applications, serving 12 industries, and provides a rich portfolio of industry solution experiences.

Dassault Systèmes, the 3DEXPERIENCE® Company, provides business and people with virtual universes to imagine sustainable innovations. Its world-leading solutions transform the way products are designed, produced, and supported. Dassault Systèmes' collaborative solutions foster social innovation, expanding possibilities for the virtual world to improve the real world. The group brings value to over 170,000 customers of all sizes in all industries in more than 140 countries. For more information, visit www.3ds.com.



DASSAULT SYSTEMES | The 3DEXPERIENCE® Company

Supplied and Supported throughout the UK by:

NT CAD/CAM Ltd

0800 018 6957 sales@ntcadcam.co.uk support@ntcadcam.co.uk

www.ntcadcam.co.uk



• Aberdeen • Birmingham • Bristol • Manchester • Newcastle • Norwich • Oxford • Sheffield • Stirling • Swansea
Waterslade House Thame Road Haddenham Buckinghamshire HP17 8NT UNITED KINGDOM

©2014 Dassault Systèmes. All rights reserved. 3DEXPERIENCE, the Compass icon and the 3DS logo, CATIA, SOLIDWORKS, ENOVIA, DELMIA, SIMULIA, GEOVIA, EXALFAD, 3D VIA, BIOVIA, and NETVIBES are commercial trademarks or registered trademarks of Dassault Systèmes or its subsidiaries in the U.S. and/or other countries. All other trademarks are owned by their respective owners. Use of any Dassault Systèmes or its subsidiaries trademarks is subject to their express written approval. MKSW/CS/ENG0814