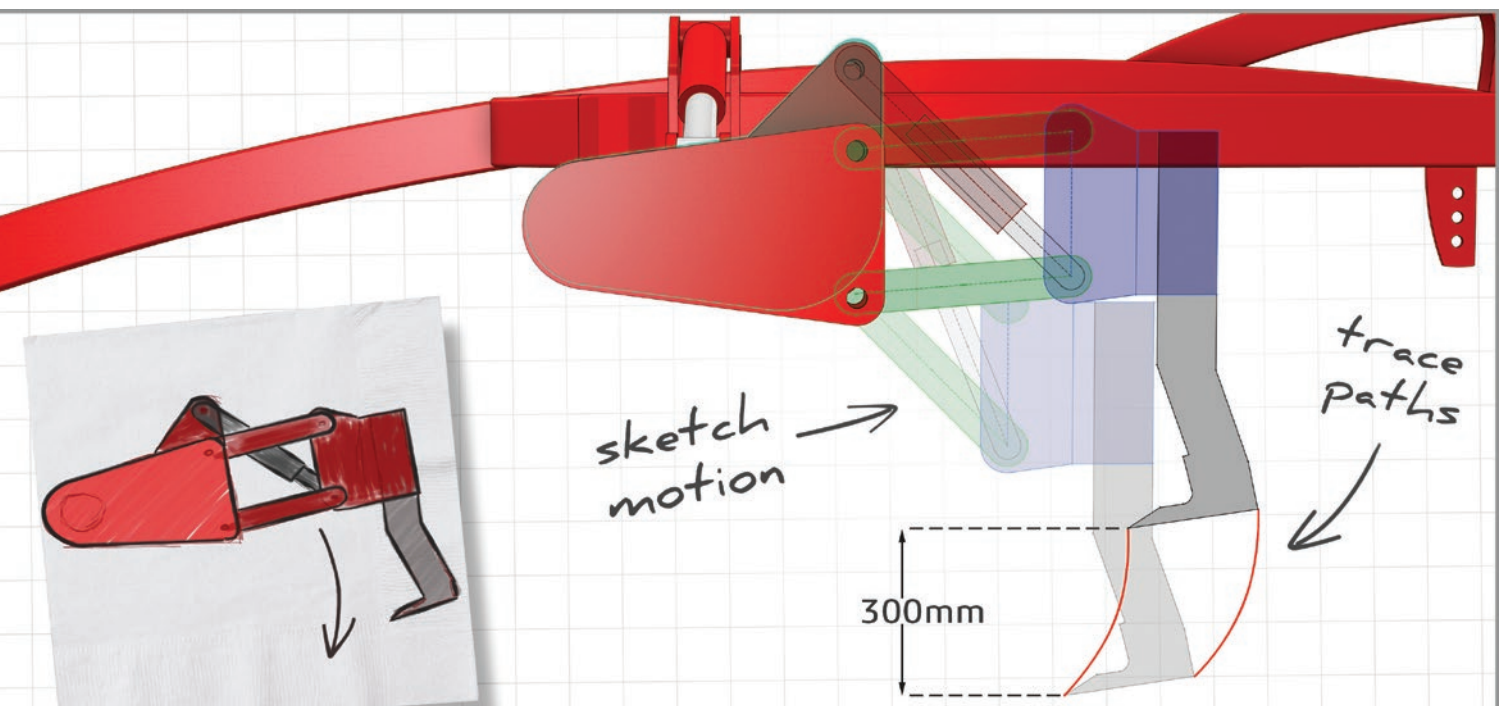


SOLIDWORKS CONCEPTUAL DESIGNER

SIMPLIFY CONCEPTUAL DESIGN AND
EXPAND INNOVATION FOR BUSINESS ADVANTAGE



ACCELERATE YOUR CONCEPT DESIGN FOR MORE INNOVATION, BETTER COLLABORATION, AND FASTER TIME-TO-MARKET

Innovative conceptual design is the core of any successful product. SOLIDWORKS® Conceptual Designer, powered by Dassault Systèmes 3DEXPERIENCE® Platform, removes the constraints of structured design programs and gives you a flexible, intuitive, powerful modeling environment that turns

every challenge of conceptual design into your business advantage. Quickly capture, develop, and communicate your design ideas directly in the digital model with SOLIDWORKS ease of use and productivity to accelerate development, lower costs, speed time-to-market, and build your market share.

SIMPLIFY AND AMPLIFY YOUR CONCEPTUAL DESIGN PROCESS

SOLIDWORKS Conceptual Designer simplifies the process of conceptual design and helps you make it a business advantage. Typically, mechanical conceptual design consumes almost one-third of project time, with an average of six design iterations. With 98 percent of companies collaborating on conceptual design, the potential impact on your time-to-market and cost is clear, and transparent data management and communication are critical. What do you need to make conceptual design work efficiently?

- An instinctive, easy-to-use design tool
- A way to harness the collective intelligence of your whole design team, customers, and supply chain to capture ideas, leverage existing designs, collaborate, and quickly get feedback
- Safe, secure, intelligent data that can be accessed anytime from anywhere

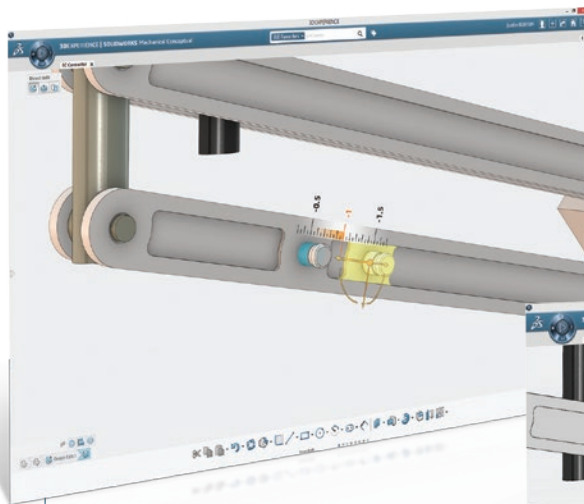
SOLIDWORKS Conceptual Designer gives you a flexible, innovative conceptual design process. It's complementary to SOLIDWORKS 3D CAD software, so you can focus on quickly solving design challenges; develop, verify, and present your concept; and then easily transition to building part and assembly structures. Continuous file saving keeps design files current, safe, and secure. And with your data accessed via the cloud, development teams can communicate from anywhere, anytime to easily innovate and collaborate.

Quickly Capture Your Concept Digitally

Evolving a concept is where SOLIDWORKS Conceptual Designer really begins to speed up the design process. You can easily capture ideas and design iterations with amazing flexibility directly in a digital model without pre-planning product structure. With SOLIDWORKS Conceptual Designer, you're using familiar tools and concepts, so you can focus on ideas, not on the software.

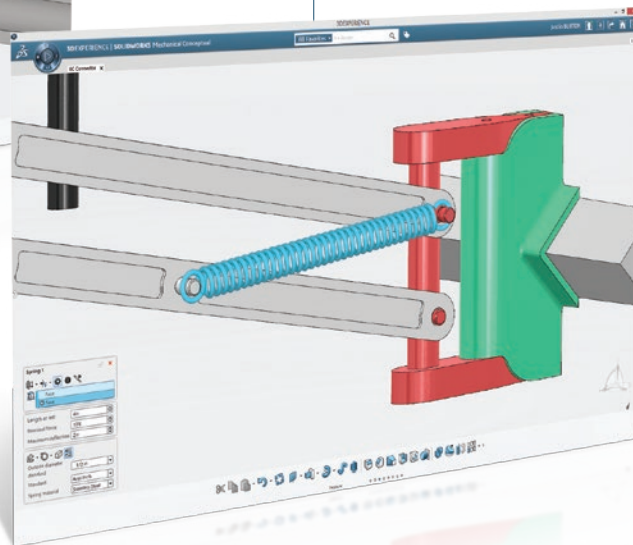
- **Single modeling environment** merges the benefits of design history, parametrics, and direct editing so you can develop concepts the way you want—top down, bottom up, layout sketch, or master model—to quickly develop ideas and win more business
- **Direct editing** easily transforms both native and imported geometry without limits, reducing remodeling time and focusing you on innovation
- **Predictive lifelike behavior helps** confirm mechanical operation and shows how your model reacts in the real world so you can identify problems and resolve them while you design
- **Evolve your design** from layout sketches and 3D geometry to separate parts and assemblies without being constrained by product structures while respecting defined design intent

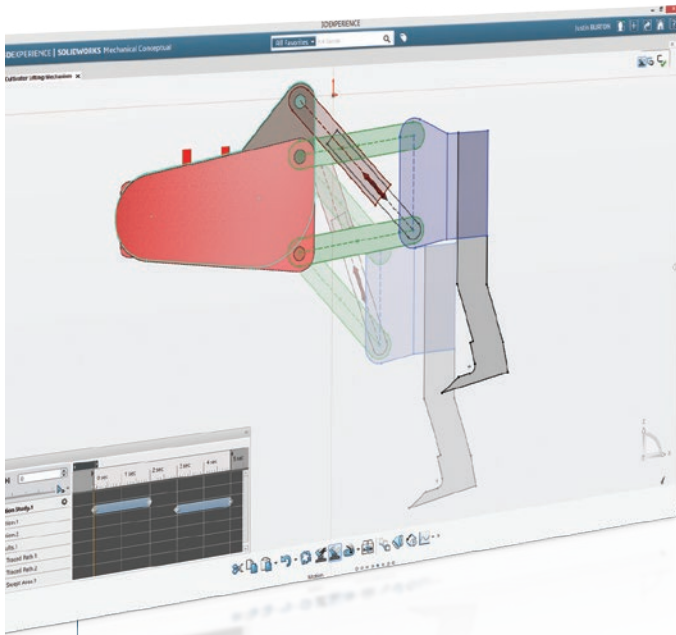
SOLIDWORKS Conceptual Designer combines the benefits of feature-based and history-free modeling in a unique way for a highly flexible, interactive workflow. You can eliminate wasted design time because you never have to start over or drastically rework designs to make an underlying change.



Easy design modification with innovative tools

Create lifelike springs that stretch and contract





Check product performance in 2D before committing to 3D

Mechanism Design and Motion Analysis While You Develop Your Concept

SOLIDWORKS Conceptual Designer helps confirm mechanical operation while you design and can alert you if design goals are violated. You can quickly generate ideas, try variations, and optimize mechanical operation.

- Automatic background simulation and real-time analysis during design confirm model operations
- Rapidly evolve 2D concepts into detailed 3D concept designs with automatic mapping of sketch relations into assembly mates and motion drivers
- Define design goals and receive automatic alerts if designs fall outside of specified parameters

Connected on the Cloud and Built for Collaboration

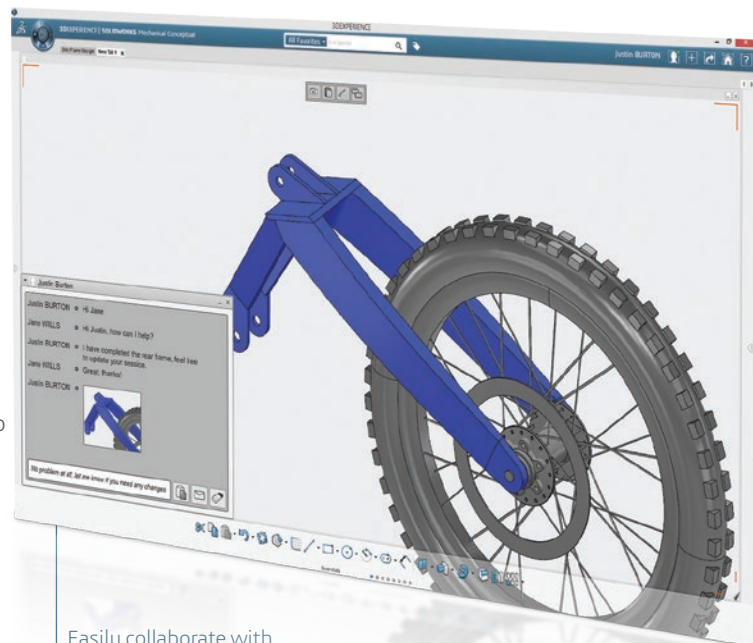
SOLIDWORKS Conceptual Designer brings natural collaboration to your conceptual design process. Product knowledge, use cases, and design ideas reside with a wide array of geographically dispersed stakeholders—from your design team to suppliers and customers. Gathering these inputs can be challenging, but without collaboration, you could settle for an incomplete solution. All stakeholders need to be able to communicate seamlessly—wherever they are and whenever they want.

Social innovation capabilities built into the foundation of SOLIDWORKS Conceptual Designer are powered by Dassault Systèmes 3DEXPERIENCE Platform.

- **Access the collective intelligence** of the whole team to drive towards the best design solution
- **Collaborate internally and externally** with suppliers and customers in an open innovation process
- **Engage stakeholders at any point** in the design process by posting concepts to their private communities
- **Collect stakeholder concept reviews** and feedback using simple and familiar web tools

SOLIDWORKS Conceptual Designer automatically captures and retains each of your concepts as you design and stores them on the cloud, with your data continuously saved as you work. Data is always safe and up-to-date in a single, secure location where your team can access the current design anytime from anywhere.

Protect valuable ideas and quickly find and leverage previous concepts with full design intent and intelligence. You define levels of access so users can share, mark up, and discuss designs. And you can better engage with your customers, get their ideas and approvals, and gain competitive advantage.



Easily collaborate with your peers

EXPERIENCE THE DIFFERENCE THAT SOLIDWORKS CONCEPTUAL DESIGNER CAN MAKE FOR YOUR BUSINESS

SOLIDWORKS Conceptual Designer simplifies and streamlines mechanical conceptual design. Easily develop, confirm, and choose the best and most robust concepts to engage your customers and win orders.

Experience SOLIDWORKS Conceptual Designer and advance your next generation of design.

For more details about SOLIDWORKS Conceptual Design, visit www.solidworks.com/conceptualdesign.

Access design data whenever and where ever you are.



Our 3DEXPERIENCE Platform powers our brand applications, serving 12 industries, and provides a rich portfolio of industry solution experiences.

Dassault Systèmes, the 3DEXPERIENCE Company, provides business and people with virtual universes to imagine sustainable innovations. Its world-leading solutions transform the way products are designed, produced, and supported. Dassault Systèmes' collaborative solutions foster social innovation, expanding possibilities for the virtual world to improve the real world. The group brings value to over 170,000 customers of all sizes in all industries in more than 140 countries. For more information, visit www.3ds.com.



About NT CAD/CAM

NT CAD/CAM is one of the UK's leading resellers of SOLIDWORKS 3D CAD since introducing the software to the UK in 1996. Offering world-leading CAD and CAM solutions, including CAMWorks and PDM systems, its experienced team of engineers helps businesses of all sizes strive and achieve a more integrated, innovative and cost-effective approach to product design and manufacturing.

NT CAD/CAM's head office is in Oxford and the company has local offices and training centres nationwide
▪ Bristol ▪ Bromsgrove ▪ Manchester ▪ Newcastle ▪ Norwich ▪ Oxford ▪ Sheffield ▪ Stirling ▪ Swansea
Waterslade House Thame Road Haddenham Buckinghamshire HP17 8NT UNITED KINGDOM